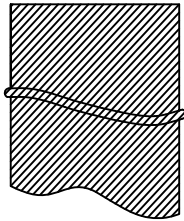
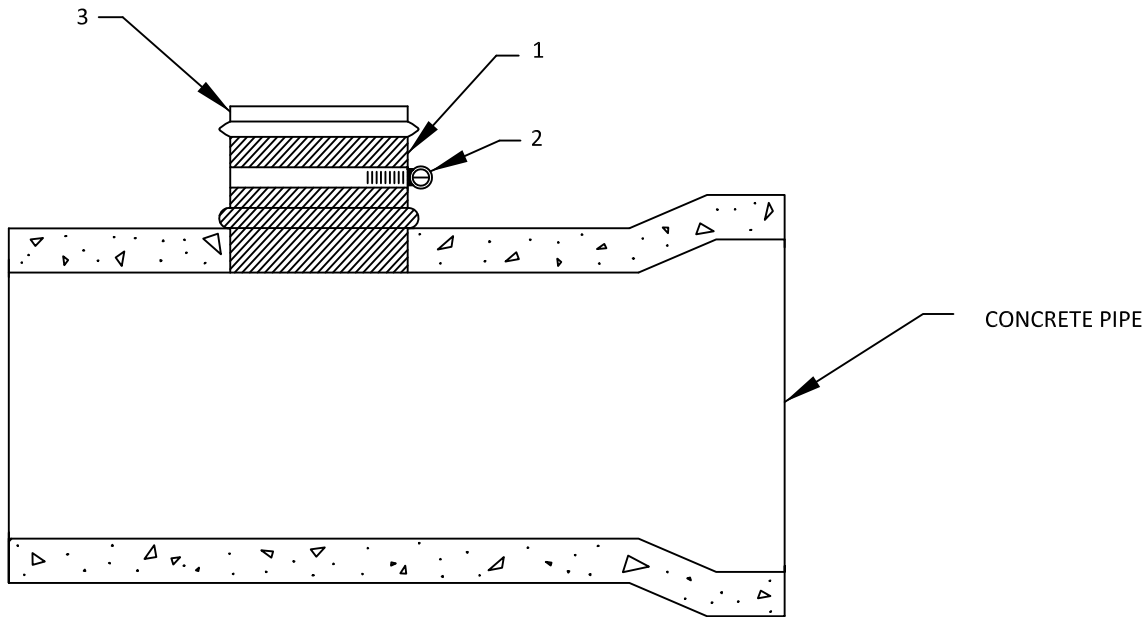
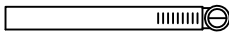


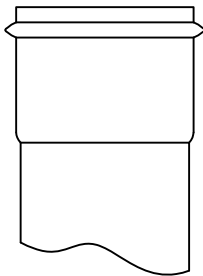
This Detail Drawing may not be altered or changed in any manner except by the City Engineer. It is the responsibility of the user to acquire the most current version.



1. COMPLETE RUBBER SLEEVE (ASTM C-443) INCLUDES A MOLDED SEGMENT THAT HOLDS IT IN PLACE.



2. STAINLESS STEEL BAND (9/16" SERIES 316) SECURES UPPER HALF OF RUBBER SLEEVE TO THE PVC HUB.



3. PVC HUB (ASTM C-3034 SDR 35) DRIVE INTO CENTER OF RUBBER SLEEVE AFTER SLEEVE IS PLACED IN HOLE.

**NOTE:**

1. INSERTA TEES SHALL NOT BE USED ON NEW CONSTRUCTION AND ARE ONLY ALLOWED ON EXISTING THICK WALL PIPE MATERIAL, SUCH AS CONCRETE, DUCTILE IRON, AND RIB PLASTIC.
2. ALL INSERTA-TEE HOLES SHALL BE MACHINE DRILLED AND CORED AND LOCATED A MINIMUM 12" CLEAR DISTANCE FROM PIPE BELL.

**Inserta-Tee**

**CITY OF  
WILSONVILLE**



DRAWING NUMBER: S-2160

DRAWN BY: SR

SCALE: N.T.S.

FILE NAME: S-2160.DWG

APPROVED BY: NK

DATE: 6/4/14

**PUBLIC WORKS STANDARDS**