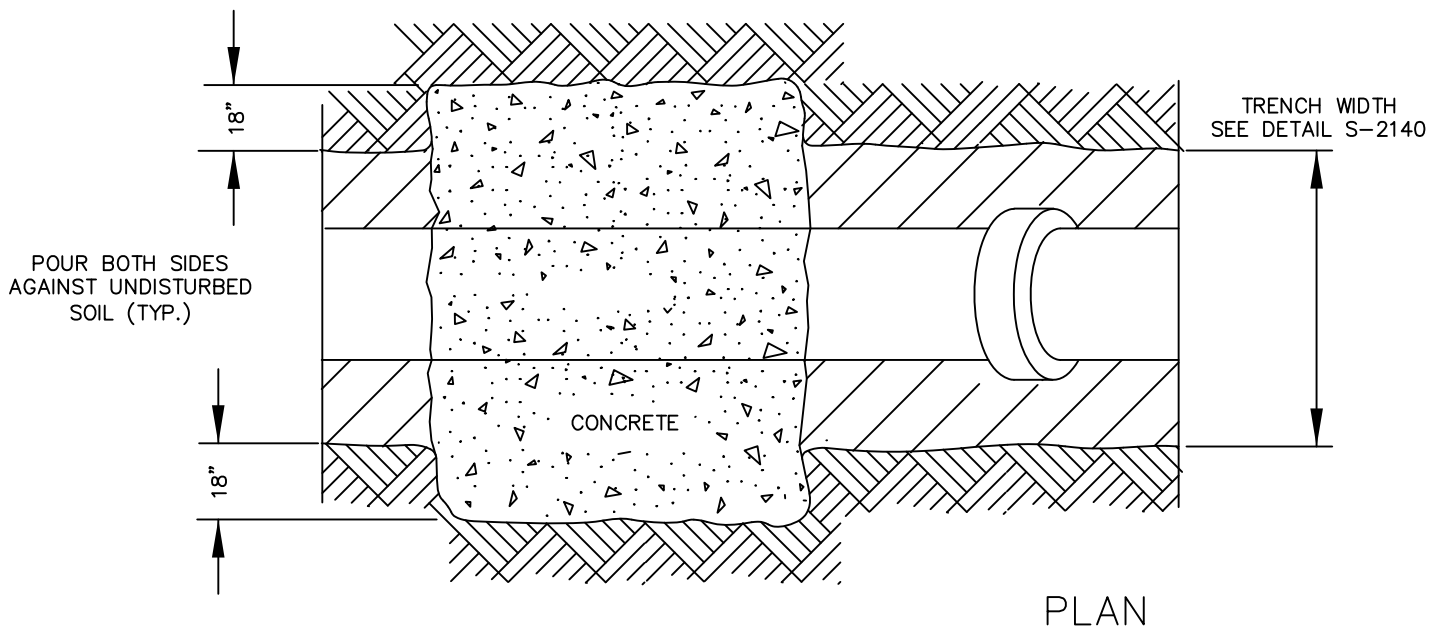
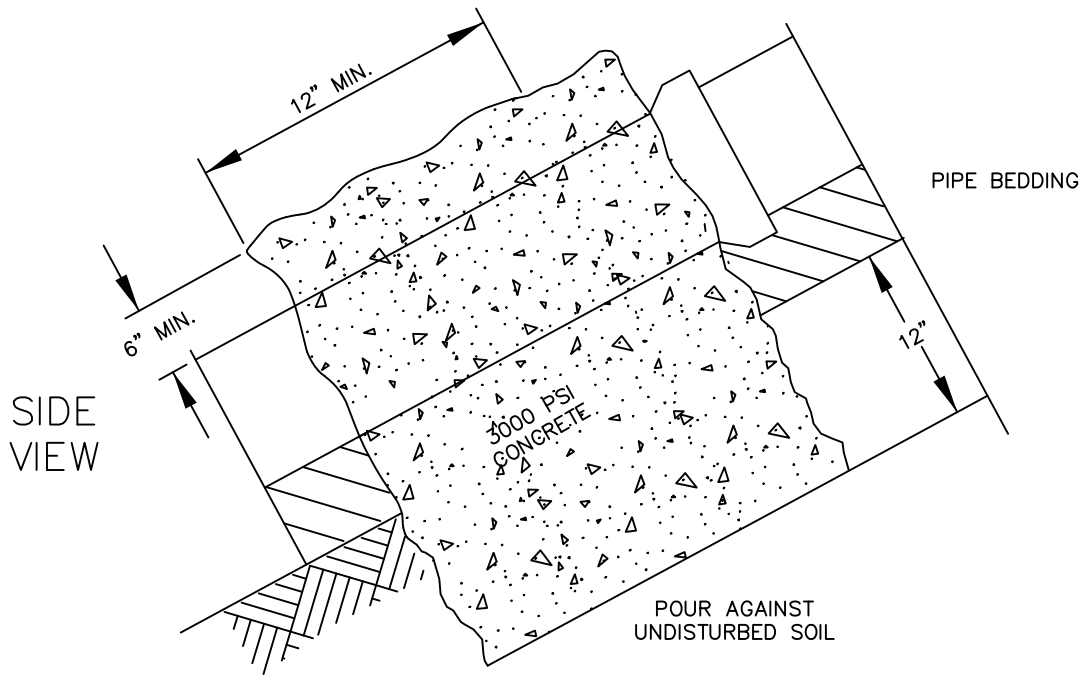


This Detail Drawing may not be altered or changed in any manner except by the City Engineer. It is the responsibility of the user to acquire the most current version.



SLOPE	MIN. ANCHOR SPACING CENTER TO CENTER
0.20 - 0.34	35'
0.35 - 0.50	25'
0.50+	15' OR CONC. ENCASEMENT

Pipe Slope Anchor - Concrete

CITY OF
WILSONVILLE



DRAWING NUMBER: S-2195

DRAWN BY: SR

SCALE: N.T.S.

FILE NAME: S-2195.DWG

APPROVED BY: NK

DATE: 6/4/14

PUBLIC WORKS STANDARDS