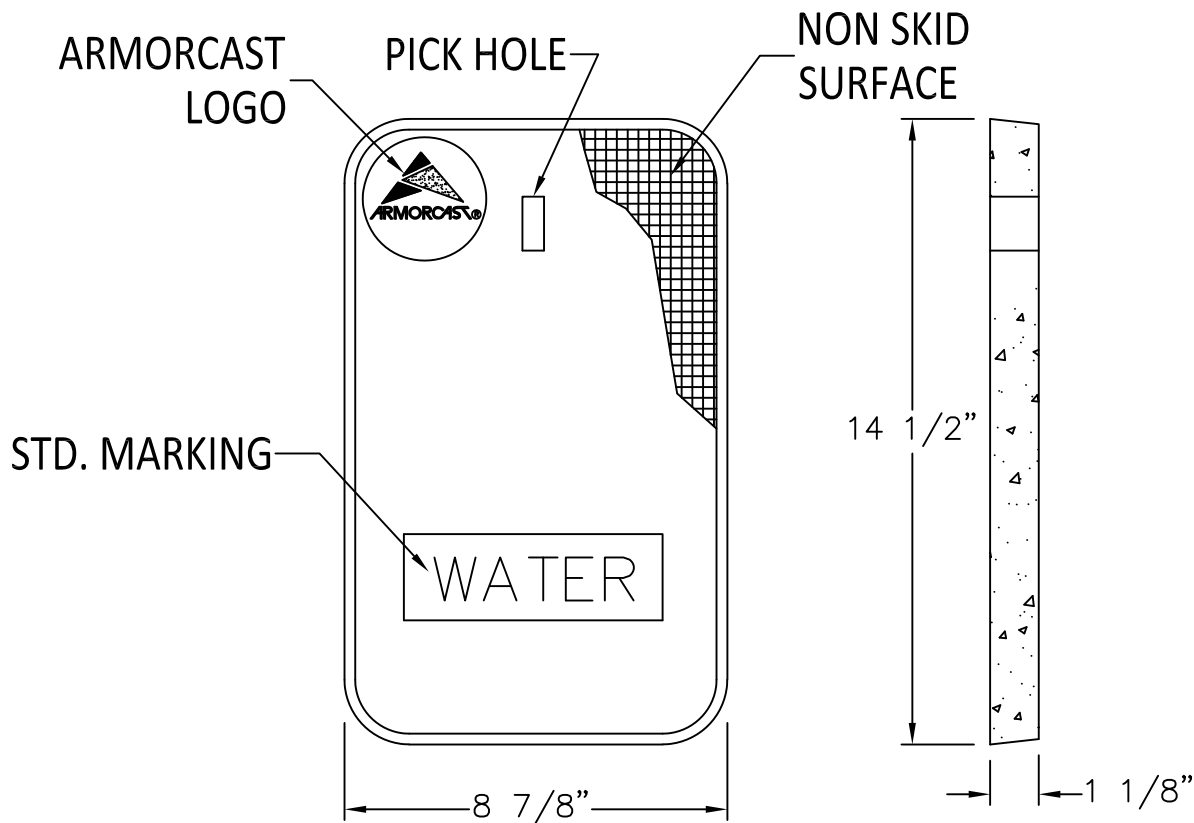
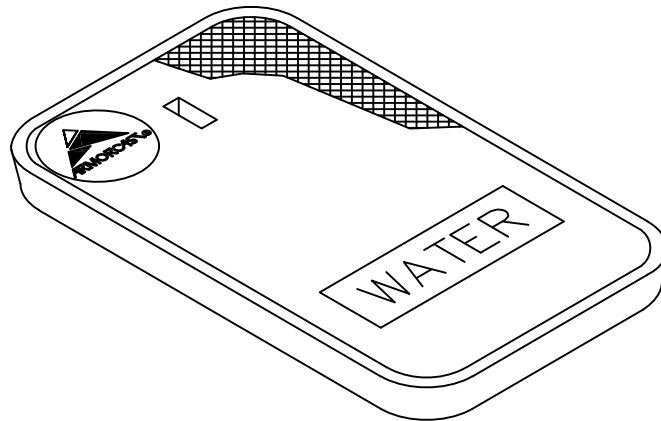


This Detail Drawing may not be altered or changed in any manner except by the City Engineer. It is the responsibility of the user to acquire the most current version.

APPROX. WT. = 10 LBS.



POLYMER ARMORCAST A6000482 CONCRETE LID

Meter Lid - 10 lbs

DRAWING NUMBER: WT-3052

DRAWN BY: SR

SCALE: N.T.S.

FILE NAME: WT-3052.DWG

APPROVED BY: NK

DATE: 6/4/14

CITY OF
WILSONVILLE



PUBLIC WORKS STANDARDS