



Addendum No. 2
Bus Station Electronic Display Signage

DATE: November 16, 2022

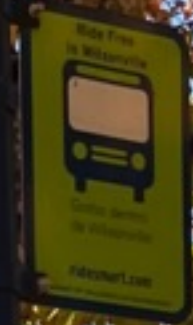
RE: Attached OCE Specs and Sample Stops

Bus Stop Order: 1
Bust Stop ID: 2543

SMART
Sustainable Mobility
Ride Free
503-682-7790



SMART
WILSONVILLE RD
Ride Free
for trips inside Wilsonville
503-682-7790







Ride Free
in Wilsonville
Gratis dentro
de Wilsonville
ridesmart.com

SMART
SOUTH METRO AREA REGIONAL TRANSIT

Wilsonville Rd **4**

Ride Free
for trips inside Wilsonville

7790

Check out our
NEW app!
ridesmart.com

SMART





Rider Alert
ROUTE
Returning Service
Beginning October

| Line | Stop | Time |
|------|------|-------|
| 1 | 1 | 1:00 |
| 1 | 2 | 1:10 |
| 1 | 3 | 1:20 |
| 1 | 4 | 1:30 |
| 1 | 5 | 1:40 |
| 1 | 6 | 1:50 |
| 1 | 7 | 2:00 |
| 1 | 8 | 2:10 |
| 1 | 9 | 2:20 |
| 1 | 10 | 2:30 |
| 1 | 11 | 2:40 |
| 1 | 12 | 2:50 |
| 1 | 13 | 3:00 |
| 1 | 14 | 3:10 |
| 1 | 15 | 3:20 |
| 1 | 16 | 3:30 |
| 1 | 17 | 3:40 |
| 1 | 18 | 3:50 |
| 1 | 19 | 4:00 |
| 1 | 20 | 4:10 |
| 1 | 21 | 4:20 |
| 1 | 22 | 4:30 |
| 1 | 23 | 4:40 |
| 1 | 24 | 4:50 |
| 1 | 25 | 5:00 |
| 1 | 26 | 5:10 |
| 1 | 27 | 5:20 |
| 1 | 28 | 5:30 |
| 1 | 29 | 5:40 |
| 1 | 30 | 5:50 |
| 1 | 31 | 6:00 |
| 1 | 32 | 6:10 |
| 1 | 33 | 6:20 |
| 1 | 34 | 6:30 |
| 1 | 35 | 6:40 |
| 1 | 36 | 6:50 |
| 1 | 37 | 7:00 |
| 1 | 38 | 7:10 |
| 1 | 39 | 7:20 |
| 1 | 40 | 7:30 |
| 1 | 41 | 7:40 |
| 1 | 42 | 7:50 |
| 1 | 43 | 8:00 |
| 1 | 44 | 8:10 |
| 1 | 45 | 8:20 |
| 1 | 46 | 8:30 |
| 1 | 47 | 8:40 |
| 1 | 48 | 8:50 |
| 1 | 49 | 9:00 |
| 1 | 50 | 9:10 |
| 1 | 51 | 9:20 |
| 1 | 52 | 9:30 |
| 1 | 53 | 9:40 |
| 1 | 54 | 9:50 |
| 1 | 55 | 10:00 |
| 1 | 56 | 10:10 |
| 1 | 57 | 10:20 |
| 1 | 58 | 10:30 |
| 1 | 59 | 10:40 |
| 1 | 60 | 10:50 |
| 1 | 61 | 11:00 |
| 1 | 62 | 11:10 |
| 1 | 63 | 11:20 |
| 1 | 64 | 11:30 |
| 1 | 65 | 11:40 |
| 1 | 66 | 11:50 |
| 1 | 67 | 12:00 |
| 1 | 68 | 12:10 |
| 1 | 69 | 12:20 |
| 1 | 70 | 12:30 |
| 1 | 71 | 12:40 |
| 1 | 72 | 12:50 |
| 1 | 73 | 1:00 |
| 1 | 74 | 1:10 |
| 1 | 75 | 1:20 |
| 1 | 76 | 1:30 |
| 1 | 77 | 1:40 |
| 1 | 78 | 1:50 |
| 1 | 79 | 2:00 |
| 1 | 80 | 2:10 |
| 1 | 81 | 2:20 |
| 1 | 82 | 2:30 |
| 1 | 83 | 2:40 |
| 1 | 84 | 2:50 |
| 1 | 85 | 3:00 |
| 1 | 86 | 3:10 |
| 1 | 87 | 3:20 |
| 1 | 88 | 3:30 |
| 1 | 89 | 3:40 |
| 1 | 90 | 3:50 |
| 1 | 91 | 4:00 |
| 1 | 92 | 4:10 |
| 1 | 93 | 4:20 |
| 1 | 94 | 4:30 |
| 1 | 95 | 4:40 |
| 1 | 96 | 4:50 |
| 1 | 97 | 5:00 |
| 1 | 98 | 5:10 |
| 1 | 99 | 5:20 |
| 1 | 100 | 5:30 |
| 1 | 101 | 5:40 |
| 1 | 102 | 5:50 |
| 1 | 103 | 6:00 |
| 1 | 104 | 6:10 |
| 1 | 105 | 6:20 |
| 1 | 106 | 6:30 |
| 1 | 107 | 6:40 |
| 1 | 108 | 6:50 |
| 1 | 109 | 7:00 |
| 1 | 110 | 7:10 |
| 1 | 111 | 7:20 |
| 1 | 112 | 7:30 |
| 1 | 113 | 7:40 |
| 1 | 114 | 7:50 |
| 1 | 115 | 8:00 |
| 1 | 116 | 8:10 |
| 1 | 117 | 8:20 |
| 1 | 118 | 8:30 |
| 1 | 119 | 8:40 |
| 1 | 120 | 8:50 |
| 1 | 121 | 9:00 |
| 1 | 122 | 9:10 |
| 1 | 123 | 9:20 |
| 1 | 124 | 9:30 |
| 1 | 125 | 9:40 |
| 1 | 126 | 9:50 |
| 1 | 127 | 10:00 |
| 1 | 128 | 10:10 |
| 1 | 129 | 10:20 |
| 1 | 130 | 10:30 |
| 1 | 131 | 10:40 |
| 1 | 132 | 10:50 |
| 1 | 133 | 11:00 |
| 1 | 134 | 11:10 |
| 1 | 135 | 11:20 |
| 1 | 136 | 11:30 |
| 1 | 137 | 11:40 |
| 1 | 138 | 11:50 |
| 1 | 139 | 12:00 |
| 1 | 140 | 12:10 |
| 1 | 141 | 12:20 |
| 1 | 142 | 12:30 |
| 1 | 143 | 12:40 |
| 1 | 144 | 12:50 |
| 1 | 145 | 1:00 |
| 1 | 146 | 1:10 |
| 1 | 147 | 1:20 |
| 1 | 148 | 1:30 |
| 1 | 149 | 1:40 |
| 1 | 150 | 1:50 |
| 1 | 151 | 2:00 |
| 1 | 152 | 2:10 |
| 1 | 153 | 2:20 |
| 1 | 154 | 2:30 |
| 1 | 155 | 2:40 |
| 1 | 156 | 2:50 |
| 1 | 157 | 3:00 |
| 1 | 158 | 3:10 |
| 1 | 159 | 3:20 |
| 1 | 160 | 3:30 |
| 1 | 161 | 3:40 |
| 1 | 162 | 3:50 |
| 1 | 163 | 4:00 |
| 1 | 164 | 4:10 |
| 1 | 165 | 4:20 |
| 1 | 166 | 4:30 |
| 1 | 167 | 4:40 |
| 1 | 168 | 4:50 |
| 1 | 169 | 5:00 |
| 1 | 170 | 5:10 |
| 1 | 171 | 5:20 |
| 1 | 172 | 5:30 |
| 1 | 173 | 5:40 |
| 1 | 174 | 5:50 |
| 1 | 175 | 6:00 |
| 1 | 176 | 6:10 |
| 1 | 177 | 6:20 |
| 1 | 178 | 6:30 |
| 1 | 179 | 6:40 |
| 1 | 180 | 6:50 |
| 1 | 181 | 7:00 |
| 1 | 182 | 7:10 |
| 1 | 183 | 7:20 |
| 1 | 184 | 7:30 |
| 1 | 185 | 7:40 |
| 1 | 186 | 7:50 |
| 1 | 187 | 8:00 |
| 1 | 188 | 8:10 |
| 1 | 189 | 8:20 |
| 1 | 190 | 8:30 |
| 1 | 191 | 8:40 |
| 1 | 192 | 8:50 |
| 1 | 193 | 9:00 |
| 1 | 194 | 9:10 |
| 1 | 195 | 9:20 |
| 1 | 196 | 9:30 |
| 1 | 197 | 9:40 |
| 1 | 198 | 9:50 |
| 1 | 199 | 10:00 |
| 1 | 200 | 10:10 |
| 1 | 201 | 10:20 |
| 1 | 202 | 10:30 |
| 1 | 203 | 10:40 |
| 1 | 204 | 10:50 |
| 1 | 205 | 11:00 |
| 1 | 206 | 11:10 |
| 1 | 207 | 11:20 |
| 1 | 208 | 11:30 |
| 1 | 209 | 11:40 |
| 1 | 210 | 11:50 |
| 1 | 211 | 12:00 |
| 1 | 212 | 12:10 |
| 1 | 213 | 12:20 |
| 1 | 214 | 12:30 |
| 1 | 215 | 12:40 |
| 1 | 216 | 12:50 |
| 1 | 217 | 1:00 |
| 1 | 218 | 1:10 |
| 1 | 219 | 1:20 |
| 1 | 220 | 1:30 |
| 1 | 221 | 1:40 |
| 1 | 222 | 1:50 |
| 1 | 223 | 2:00 |
| 1 | 224 | 2:10 |
| 1 | 225 | 2:20 |
| 1 | 226 | 2:30 |
| 1 | 227 | 2:40 |
| 1 | 228 | 2:50 |
| 1 | 229 | 3:00 |
| 1 | 230 | 3:10 |
| 1 | 231 | 3:20 |
| 1 | 232 | 3:30 |
| 1 | 233 | 3:40 |
| 1 | 234 | 3:50 |
| 1 | 235 | 4:00 |
| 1 | 236 | 4:10 |
| 1 | 237 | 4:20 |
| 1 | 238 | 4:30 |
| 1 | 239 | 4:40 |
| 1 | 240 | 4:50 |
| 1 | 241 | 5:00 |
| 1 | 242 | 5:10 |
| 1 | 243 | 5:20 |
| 1 | 244 | 5:30 |
| 1 | 245 | 5:40 |
| 1 | 246 | 5:50 |
| 1 | 247 | 6:00 |
| 1 | 248 | 6:10 |
| 1 | 249 | 6:20 |
| 1 | 250 | 6:30 |
| 1 | 251 | 6:40 |
| 1 | 252 | 6:50 |
| 1 | 253 | 7:00 |
| 1 | 254 | 7:10 |
| 1 | 255 | 7:20 |
| 1 | 256 | 7:30 |
| 1 | 257 | 7:40 |
| 1 | 258 | 7:50 |
| 1 | 259 | 8:00 |
| 1 | 260 | 8:10 |
| 1 | 261 | 8:20 |
| 1 | 262 | 8:30 |
| 1 | 263 | 8:40 |
| 1 | 264 | 8:50 |
| 1 | 265 | 9:00 |
| 1 | 266 | 9:10 |
| 1 | 267 | 9:20 |
| 1 | 268 | 9:30 |
| 1 | 269 | 9:40 |
| 1 | 270 | 9:50 |
| 1 | 271 | 10:00 |
| 1 | 272 | 10:10 |
| 1 | 273 | 10:20 |
| 1 | 274 | 10:30 |
| 1 | 275 | 10:40 |
| 1 | 276 | 10:50 |
| 1 | 277 | 11:00 |
| 1 | 278 | 11:10 |
| 1 | 279 | 11:20 |
| 1 | 280 | 11:30 |
| 1 | 281 | 11:40 |
| 1 | 282 | 11:50 |
| 1 | 283 | 12:00 |
| 1 | 284 | 12:10 |
| 1 | 285 | 12:20 |
| 1 | 286 | 12:30 |
| 1 | 287 | 12:40 |
| 1 | 288 | 12:50 |
| 1 | 289 | 1:00 |
| 1 | 290 | 1:10 |
| 1 | 291 | 1:20 |
| 1 | 292 | 1:30 |
| 1 | 293 | 1:40 |
| 1 | 294 | 1:50 |
| 1 | 295 | 2:00 |
| 1 | 296 | 2:10 |
| 1 | 297 | 2:20 |
| 1 | 298 | 2:30 |
| 1 | 299 | 2:40 |
| 1 | 300 | 2:50 |
| 1 | 301 | 3:00 |
| 1 | 302 | 3:10 |
| 1 | 303 | 3:20 |
| 1 | 304 | 3:30 |
| 1 | 305 | 3:40 |
| 1 | 306 | 3:50 |
| 1 | 307 | 4:00 |
| 1 | 308 | 4:10 |
| 1 | 309 | 4:20 |
| 1 | 310 | 4:30 |
| 1 | 311 | 4:40 |
| 1 | 312 | 4:50 |
| 1 | 313 | 5:00 |
| 1 | 314 | 5:10 |
| 1 | 315 | 5:20 |
| 1 | 316 | 5:30 |
| 1 | 317 | 5:40 |
| 1 | 318 | 5:50 |
| 1 | 319 | 6:00 |
| 1 | 320 | 6:10 |
| 1 | 321 | 6:20 |
| 1 | 322 | 6:30 |
| 1 | 323 | 6:40 |
| 1 | 324 | 6:50 |
| 1 | 325 | 7:00 |
| 1 | 326 | 7:10 |
| 1 | 327 | 7:20 |
| 1 | 328 | 7:30 |
| 1 | 329 | 7:40 |
| 1 | 330 | 7:50 |
| 1 | 331 | 8:00 |
| 1 | 332 | 8:10 |
| 1 | 333 | 8:20 |
| 1 | 334 | 8:30 |
| 1 | 335 | 8:40 |
| 1 | 336 | 8:50 |
| 1 | 337 | 9:00 |
| 1 | 338 | 9:10 |
| 1 | 339 | 9:20 |
| 1 | 340 | 9:30 |
| 1 | 341 | 9:40 |
| 1 | 342 | 9:50 |
| 1 | 343 | 10:00 |
| 1 | 344 | 10:10 |
| 1 | 345 | 10:20 |
| 1 | 346 | 10:30 |
| 1 | 347 | 10:40 |
| 1 | 348 | 10:50 |
| 1 | 349 | 11:00 |
| 1 | 350 | 11:10 |
| 1 | 351 | 11:20 |
| 1 | 352 | 11:30 |
| 1 | 353 | 11:40 |
| 1 | 354 | 11:50 |
| 1 | 355 | 12:00 |
| 1 | 356 | 12:10 |
| 1 | 357 | 12:20 |
| 1 | 358 | 12:30 |
| 1 | 359 | 12:40 |
| 1 | 360 | 12:50 |
| 1 | 361 | 1:00 |
| 1 | 362 | 1:10 |
| 1 | 363 | 1:20 |
| 1 | 364 | 1:30 |
| 1 | 365 | 1:40 |
| 1 | 366 | 1:50 |
| 1 | 367 | 2:00 |
| 1 | 368 | 2:10 |
| 1 | 369 | 2:20 |
| 1 | 370 | 2:30 |
| 1 | 371 | 2:40 |
| 1 | 372 | 2:50 |
| 1 | 373 | 3:00 |
| 1 | 374 | 3:10 |
| 1 | 375 | 3:20 |
| 1 | 376 | 3:30 |
| 1 | 377 | 3:40 |
| 1 | 378 | 3:50 |
| 1 | 379 | 4:00 |
| 1 | 380 | 4:10 |
| 1 | 381 | 4:20 |
| 1 | 382 | 4:30 |
| 1 | 383 | 4:40 |
| 1 | 384 | 4:50 |
| 1 | 385 | 5:00 |
| 1 | 386 | 5:10 |
| 1 | 387 | 5:20 |
| 1 | 388 | 5:30 |
| 1 | 389 | 5:40 |
| 1 | 390 | 5:50 |
| 1 | 391 | 6:00 |
| 1 | 392 | 6:10 |
| 1 | 393 | 6:20 |
| 1 | 394 | 6:30 |
| 1 | 395 | 6:40 |
| 1 | 396 | 6:50 |
| 1 | 397 | 7:00 |
| 1 | 398 | 7:10 |
| 1 | 399 | 7:20 |
| 1 | 400 | 7:30 |
| 1 | 401 | 7:40 |
| 1 | 402 | 7:50 |
| 1 | 403 | 8:00 |
| 1 | 404 | 8:10 |
| 1 | 405 | 8:20 |
| 1 | 406 | 8:30 |
| 1 | 407 | 8:40 |
| 1 | 408 | 8:50 |
| 1 | 409 | 9:00 |
| 1 | 410 | 9:10 |
| 1 | 411 | 9:20 |
| 1 | 412 | 9:30 |
| 1 | 413 | 9:40 |
| 1 | 414 | 9:50 |
| 1 | 415 | 10:00 |
| 1 | 416 | 10:10 |
| 1 | 417 | 10:20 |
| 1 | 418 | 10:30 |
| 1 | 419 | 10:40 |
| 1 | 420 | 10:50 |
| 1 | 421 | 11:00 |
| 1 | 422 | 11:10 |
| 1 | 423 | 11:20 |
| 1 | 424 | 11:30 |
| 1 | 425 | 11:40 |
| 1 | 426 | 11:50 |
| 1 | 427 | 12:00 |
| 1 | 428 | 12:10 |
| 1 | 429 | 12:20 |
| 1 | 430 | 12:30 |
| 1 | 431 | 12:40 |
| 1 | 432 | 12:50 |
| 1 | 433 | 1:00 |
| 1 | 434 | 1:10 |
| 1 | 435 | 1:20 |
| 1 | 436 | 1:30 |
| 1 | 437 | 1:40 |
| 1 | 438 | 1:50 |
| 1 | 439 | 2:00 |
| 1 | 440 | 2:10 |
| 1 | 441 | 2:20 |
| 1 | 442 | 2:30 |
| 1 | 443 | 2:40 |
| 1 | 444 | 2:50 |
| 1 | 445 | 3:00 |
| 1 | 446 | 3:10 |
| 1 | 447 | 3:20 |
| 1 | 448 | 3:30 |
| 1 | 449 | 3:40 |



SMART

Ride Free

503-682-7790





SMART
Wilsonville Rd 4
Ride Free
790





Bus Stop Order: 3
Bust Stop ID: 2613

SMART
Tualatin Park & Ride **2X**
Wilsonville Rd **4**
503-682-7790

Rider Alert
ROUTE 2X
Returning Service
Beginning October 30

Rider Alert
ROUTE 4
Returning Service
Beginning October 30





SMOKING

Informational sign on the left pillar.

Informational sign on the right pillar.



SMOKING

Think Smart. Ride Smart.

SMAR

www.ride-smart.com

ROAD CLOSED

Bus Stop Order: 8
Bust Stop ID: 2695

Think Smart. Ride Smart.
For a greener tomorrow

SMART
SOUTH METRO AREA REGIONAL TRANSIT

FUNDED BY
WILSONVILLE BUSINESSES

www.ridesmart.com

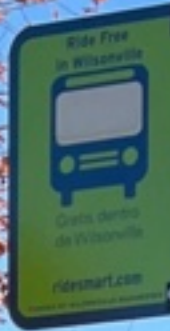
SMART



Bus Stop Order: 11
Bust Stop ID: 2641







SMART
SOUTH METRO AREA REGIONAL TRANSPORT

Wilsonville TC **2X**

Wilsonville Rd **4**

Ride Free
for trips inside Wilsonville
From beginning of ending outside city limits require fare.

INFO AND CALL-A-RIDE **503-682-7790**



Ride Free
In Wilsonville
Gratis dentro
de Wilsonville
ridesmart.com

SMART
SOUTH METRO AREA REGIONAL TRANSIT

Wilsonville TC **2X**

Wilsonville Rd **4**

 **Ride Free**
for trips inside Wilsonville
Trips beginning or ending outside city limits require fare.

INFO AND
DIAL-A-RIDE 503-682-7790





Ride Free
in Wilsonville



Gratis dentro
de Wilsonville

ridesmart.com

FUNDED BY WILSONVILLE BUSINESSES

SMART
SOUTH METRO AREA REGIONAL

Wilsonville

Wilsonville



R
for trips
Trips beginning or end

INFO AND
DIAL-A-RIDE **503**





I
DIA



Bus Stop Order: 15
Bust Stop ID: 2080



Rider Alert
ROUTE 4
Returning Service
Beginning October 20

SMART
Wilsonville W 4W
503-682-7790

SMART
503-682-7790





SMART
Wilsonville W 4W
503-682-7790

Rider Alert
ROUTE 4
Temporary Service
Ending October 30

Check out our
new app!
SMART





Bus Stop Order: 17
Bust Stop ID: 2256

SMART
Tusculum
Park & Ride
903-683-2700

SMART
Tusculum
Park & Ride

RiderAlert
ROUTE 2X
Returning Service
Beginning October 20





SMART
Tualatin
Park & Ride 2X
503-683-7790

Rider Alert
ROUTE 2X
Returning Service
Beginning October 13





TRANSIT CENTER UNDER CONSTANT VIDEO SURVEILLANCE

NO SMOKING



Bus Stop Order: 19
Bust Stop ID: 2040





SMART

Villebois Shuttle

Ride Free

503-682-7790



SMART

www.ford-smart.com













ROUTE 3
Returning Service
Beginning October 10





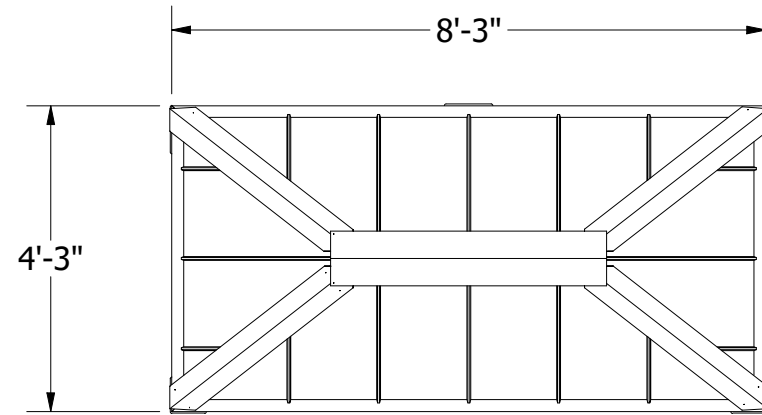


8003-5.32052

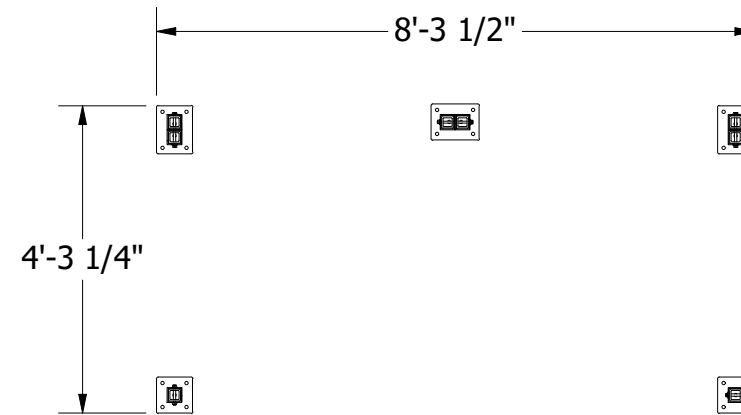


BUS SHELTER

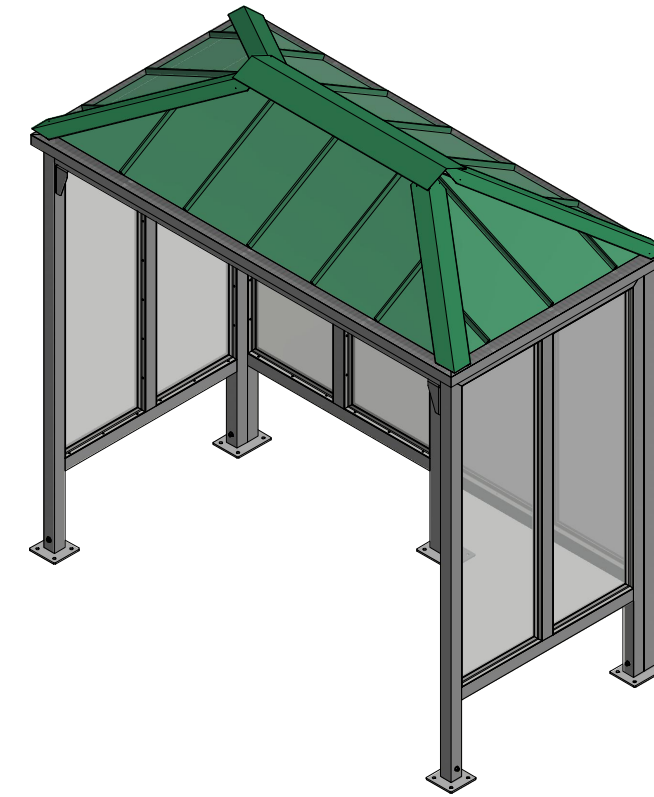
- ALUMINUM STRUCTURE
- 35 SQ FT ROOF
- 3" GUTTERS WITH GUTTER GUARDS
- ENCLOSED TRUSSES TO PREVENT HANGING
- 3/8" HOLES IN MOUNTING PLATES



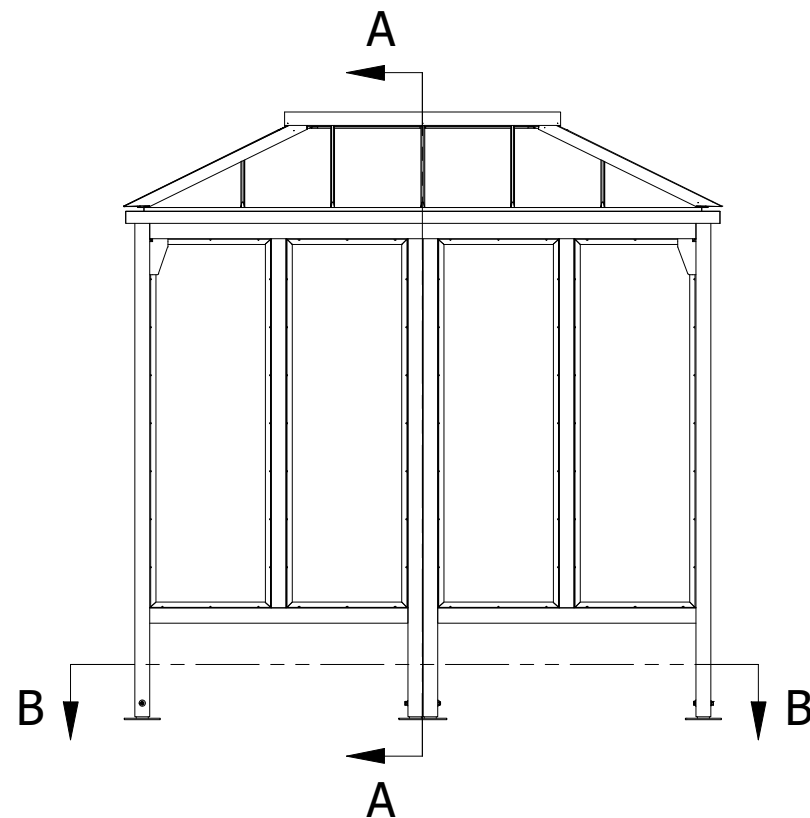
TOP VIEW
ROOF DIMENSIONS
SCALE: 1/32"=1"



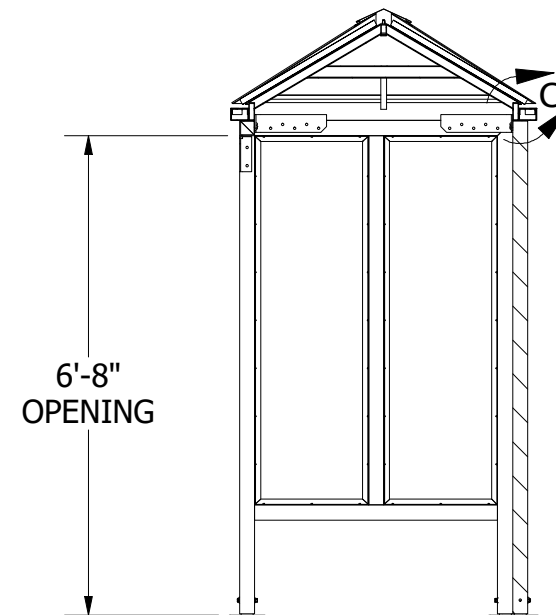
SECTION B-B
POST FOOTPRINT
SCALE: 1/32"=1"



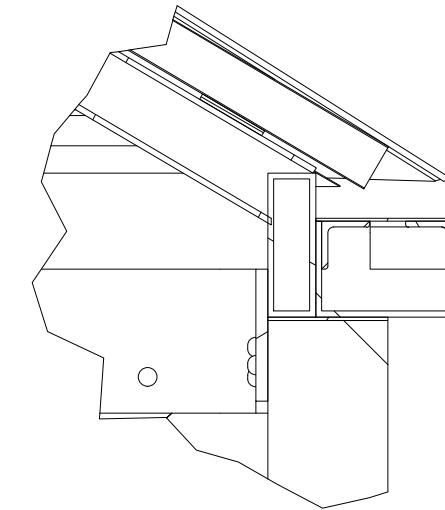
ISOMETRIC VIEW
SCALE: 1/32"=1"



FRONT VIEW
SCALE: 1/32"=1"



SECTION A-A
SCALE: 1/32"=1"



DETAIL C
SCALE: 1/4"=1"

CONCEPTUAL DRAWING FOR CUSTOMER SIGN OFF ONLY, NOT INTENDED FOR PRODUCTION

Please provide comment on conceptual drawing, mark appropriate box below, provide authorized signature and fax to 503-373-1086

- No Exceptions Noted Revise & Re-Submit

X
Signature _____ Date _____



**OREGON
CORRECTIONS
ENTERPRISES**

P.O. BOX 12849
SALEM, OR 97309

PH: (503) 378-5276

NOTICE: THIS DRAWING IS PROPERTY OF OREGON CORRECTIONS ENTERPRISES AND CONTAINS INFORMATION THAT IS NOT TO BE USED EXCEPT IN CONSIDERATION OF BIDS OR PROPOSALS TENDERED HERewith. REPRODUCTION OR COPYING OF THIS DRAWING, IN WHOLE OR IN PART IS PROHIBITED.

BUS SHELTER, 4X8, 3 ENCLOSED SIDES

| | |
|-----------------------|--------------------|
| DRAWN BY J.SPEIDEL | DATE 10/28/2019 |
| CHECKED BY RDL | DATE 1/27/2020 |
| ENG APPROVER | DATE |

DRAWING STATUS

| | |
|--------------------------|-----------|
| MFG APPROVER | DATE |
| PRODUCT NO. | |
| DRAWING NO. 1000362 | |
| SCALE: (UNO) AS SHOWN | REV: B |
| SHEET 1 | OF 1 |

MATERIAL CUT LIST

| SHOP AREA | ITEM | MAS NO | MAS DESCRIPTION | PART DESCRIPTION | LENGTH | WIDTH | THICKNESS | QTY | COMMENTS |
|------------|-------------|-------------|-----------------------------|---------------------------------------|---------|--------|-----------|-----|----------|
| METAL SHOP | 789-041-00X | BS-MP-01 | MOUNT POST | BUS SHELTER - MOUNT POST (SINGLE LEG) | 6 | 6 | | 2 | |
| METAL SHOP | 789-042-00X | 789-042-00X | DOUBLE POST LEG | BS-MP-02 | 8 | 6 | | 3 | |
| METAL SHOP | 789-040-00X | 789-040-00X | FRONT SUPPORT - 8' | BS-FS-01 | 91 | 8 1/2 | | 1 | |
| METAL SHOP | 789-045-00X | 789-045-00X | BUS SHELTER - PANEL - GLASS | BS-PAN-05 | 82 3/16 | 48 | | 2 | |
| METAL SHOP | 789-945-00X | 789-945-00X | BUS SHELTER - ROOF - 4 X 8 | BS-RF-04 | 96 | 60 | | 1 | |
| METAL SHOP | 789-942-00X | 789-942-00X | BUS SHELTER - PANEL - GLASS | BS-PAN-11 | 82 3/16 | 45 1/2 | | 2 | |

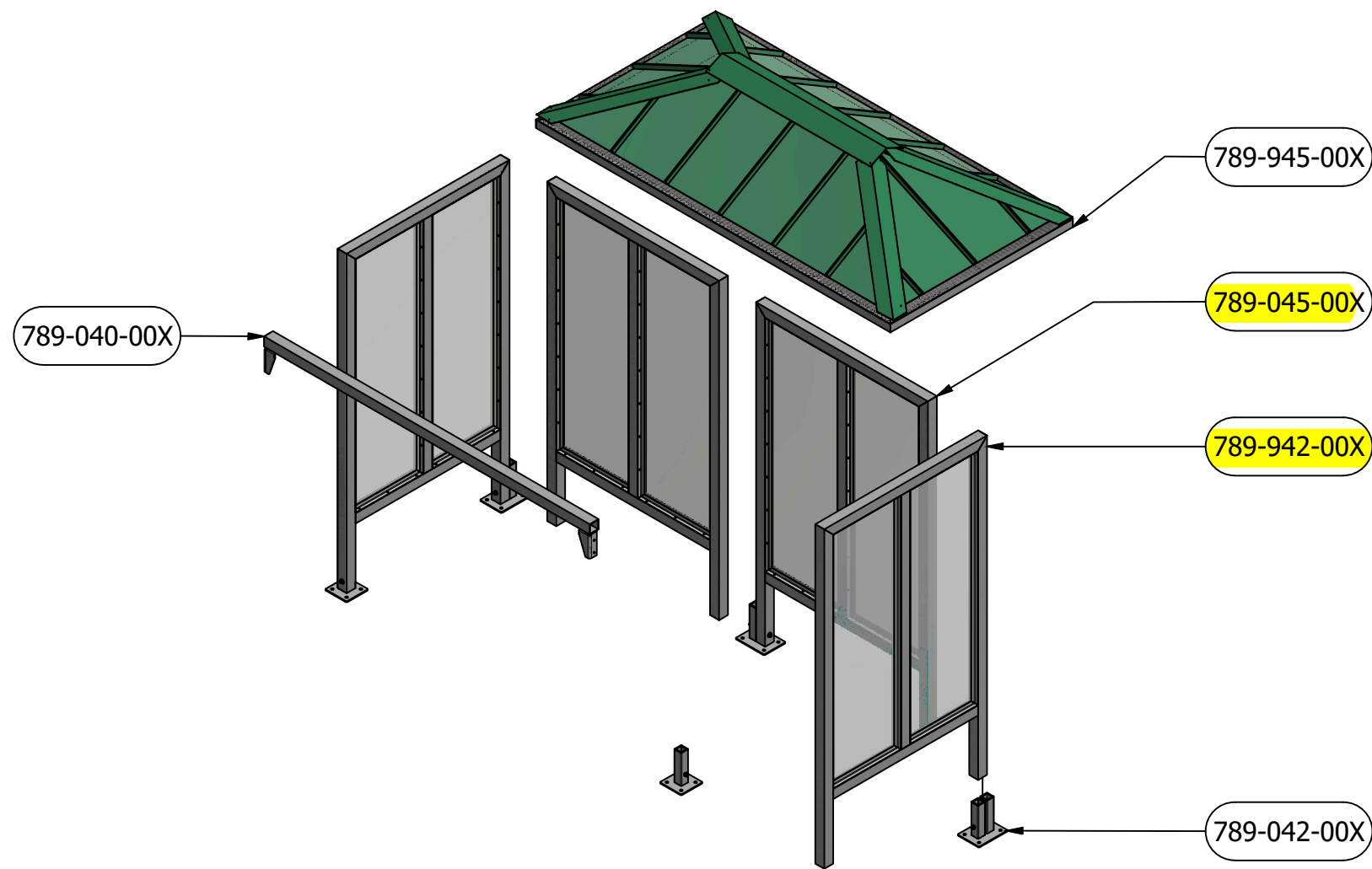


OREGON
CORRECTIONS
ENTERPRISES

P.O. BOX 12849
SALEM, OR 97309

PH: (503) 378-5276

NOTICE: THIS DRAWING IS PROPERTY OF OREGON CORRECTIONS ENTERPRISES AND CONTAINS INFORMATION THAT IS NOT TO BE USED EXCEPT IN CONSIDERATION OF BIDS OR PROPOSALS TENDERED HERewith. REPRODUCTION OR COPYING OF THIS DRAWING, IN WHOLE OR IN PART IS PROHIBITED.



BUS SHELTER, 4X8, 3 ENCLOSED SIDES

EXPLODED VIEW: 732-011-006
BUS SHELTER, 4X8, 3 ENCLOSED SIDES
SCALE: 1/32"=1"

| | |
|-----------------------|--------------------|
| DRAWN BY J.SPEIDEL | DATE 10/28/2019 |
|-----------------------|--------------------|

| | |
|-------------------|-------------------|
| CHECKED BY RDL | DATE 1/27/2020 |
|-------------------|-------------------|

| | |
|--------------|------|
| ENG APPROVER | DATE |
|--------------|------|

DRAWING STATUS

| | |
|--------------|------|
| MFG APPROVER | DATE |
|--------------|------|

PRODUCT NO.

DRAWING NO.
1000362

| | |
|--------------------------|-----------|
| SCALE: (UNO) AS SHOWN | REV: B |
|--------------------------|-----------|

| | | |
|-------|----|---|
| SHEET | OF | 1 |
|-------|----|---|